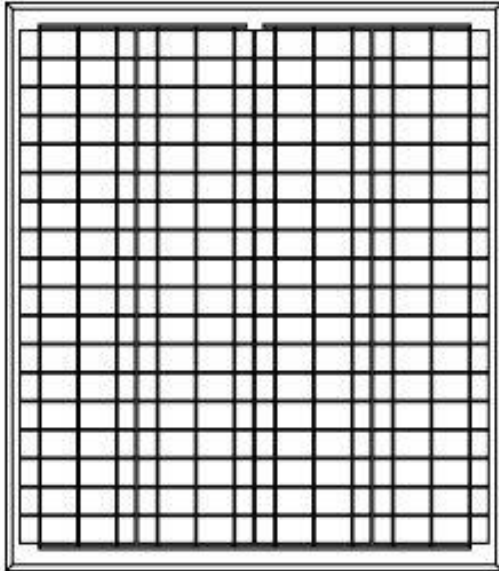
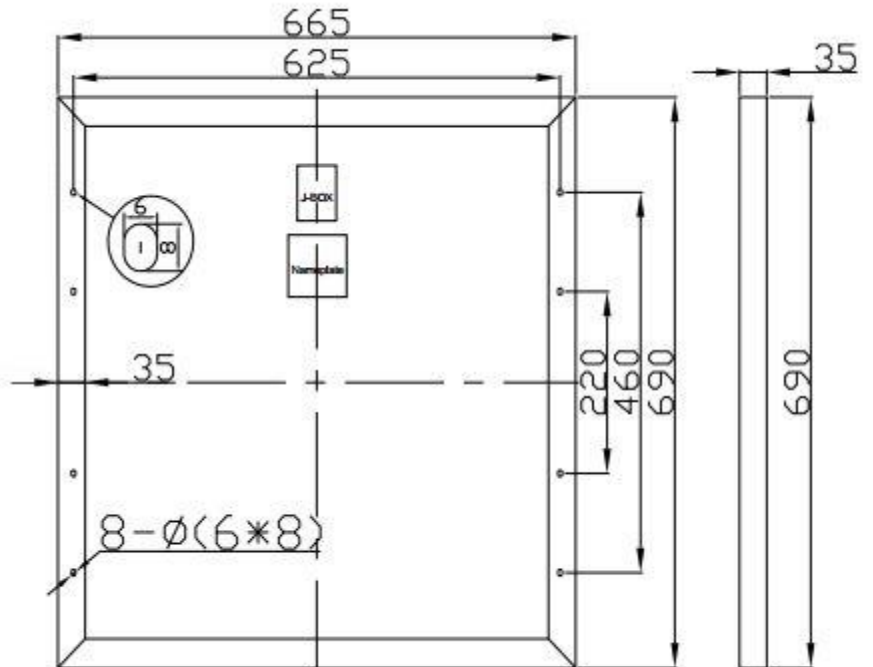


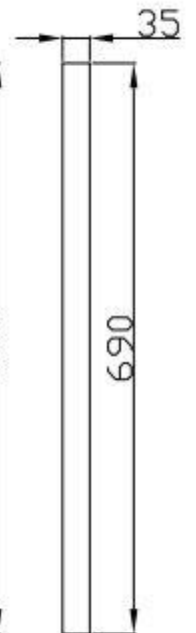
Front



Rear



Section



Dimensions:

(690 x 665) ± 2mm x 35 mm

Weight: 5.7 kg (NET)

Technical specification:

Laminate:	Glass / EVA / TPE (tedlar / PET / tedlar) or TPT (white backsheet).
Front:	High-transmission 3.2 mm tempered glass
Rear:	TPT/TPE
Cells:	36 multi-Si solar cells
Frame:	Clear anodized aluminium frame
Output:	Junction box, multicontact connectors (optional with cable)

Electrical data (at STC*): P_{mpp} : 60 W* (± 10%) / V_{mpp} : 18 V* / I_{mpp} : 3.33 A* / V_{oc} : 22.3 V* / I_{sc} : 3.64 A*

*: Standard Test Conditions (1000W/m², 25°C, 1.5 AM).

SOLARC Innovative Solarprodukte GmbH Glogauer Straße 21, D-10999 Berlin Tel/Fax 030-3198554-00/99 info@solarc.de www.solarc.de	Product / Project CSM 36.6000 / Standard	Document Tech. Data Sheet	Issued 11.08.2011	Author AN
	Comments Data subject to change	Document no./ Ref. - / -	Modified 04.04.2014	Author AN